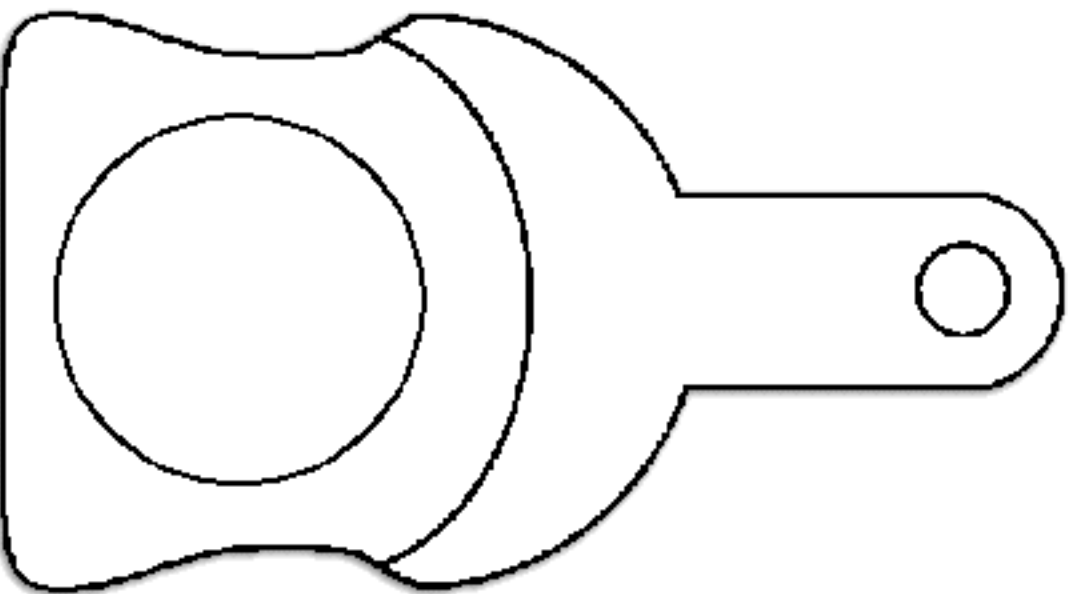
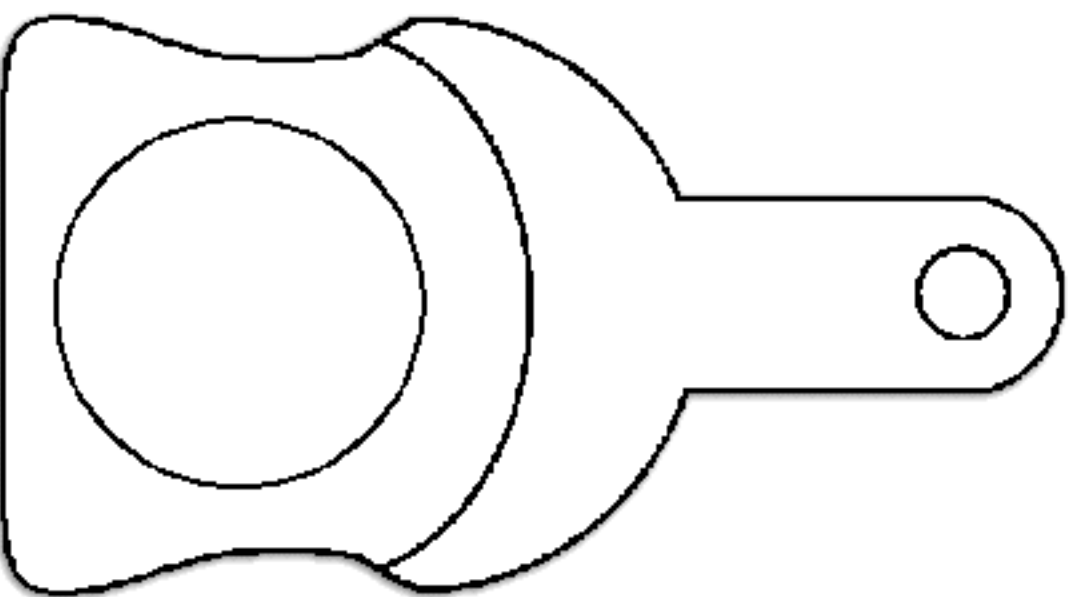


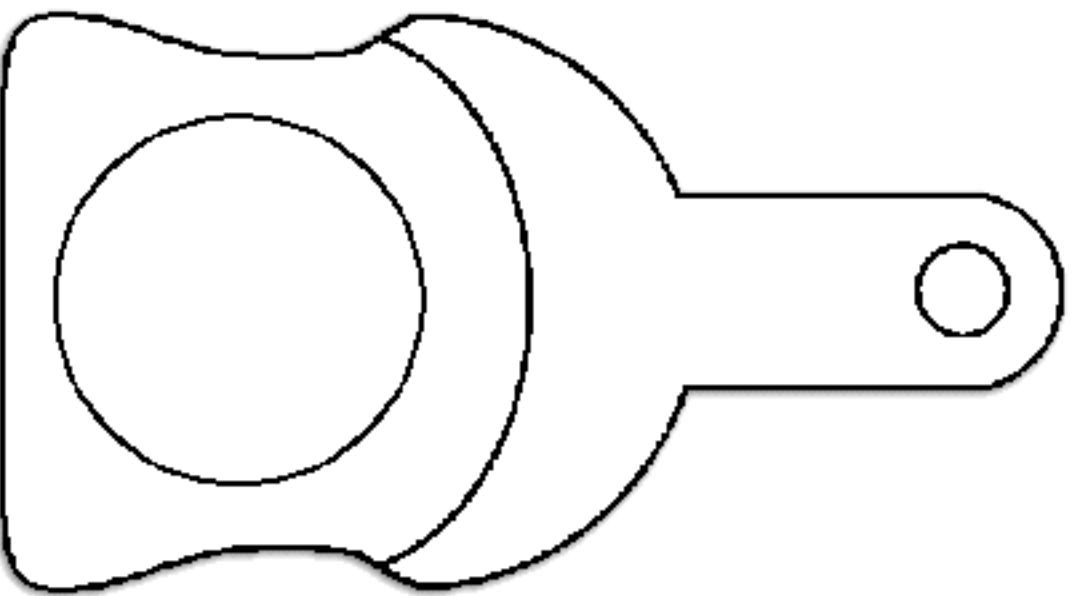
red



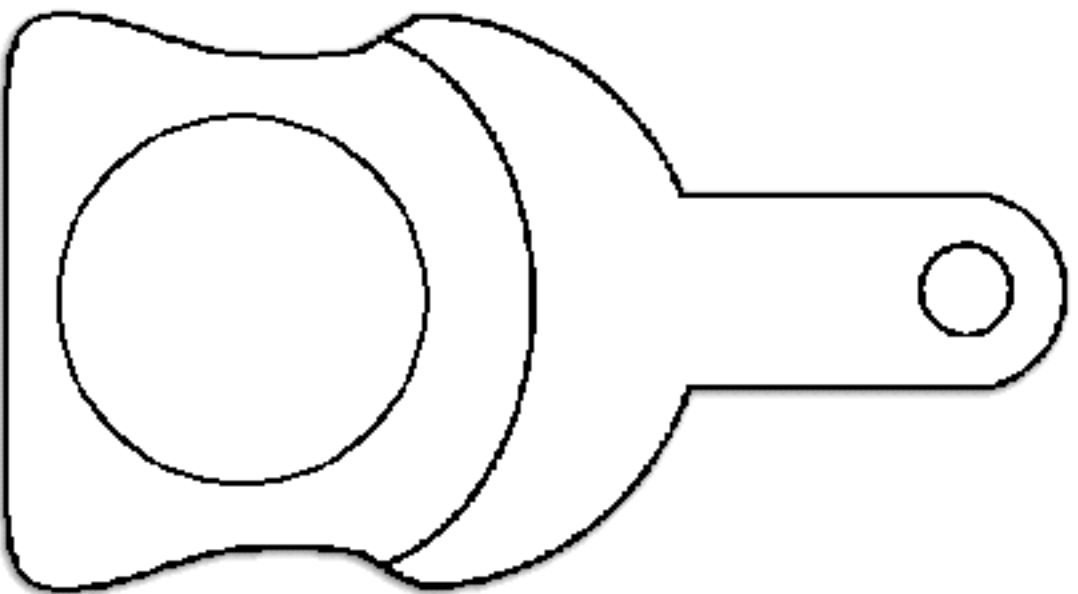
yellow



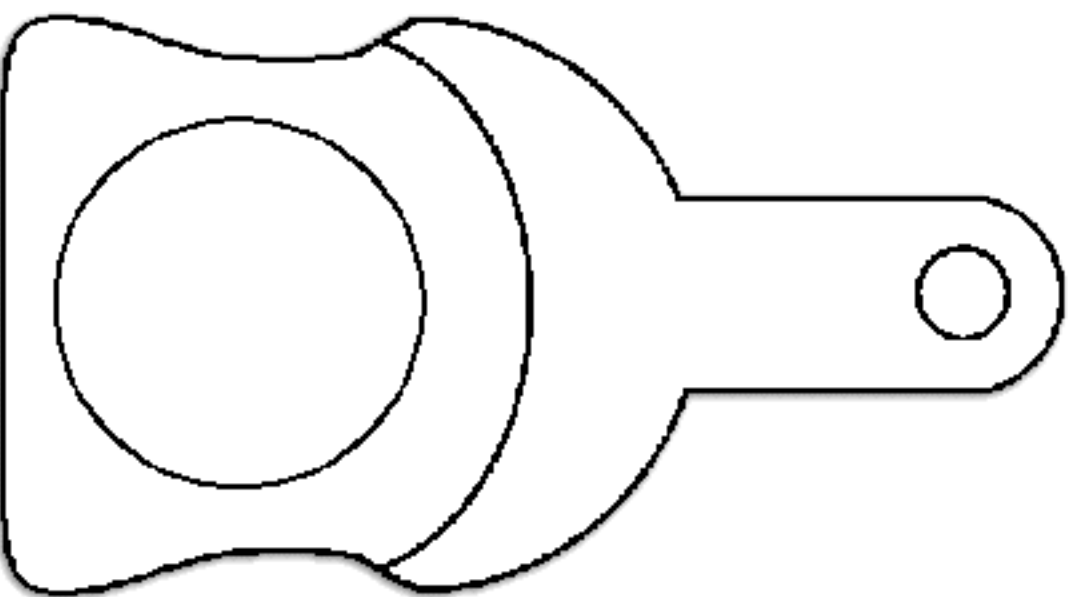
blue



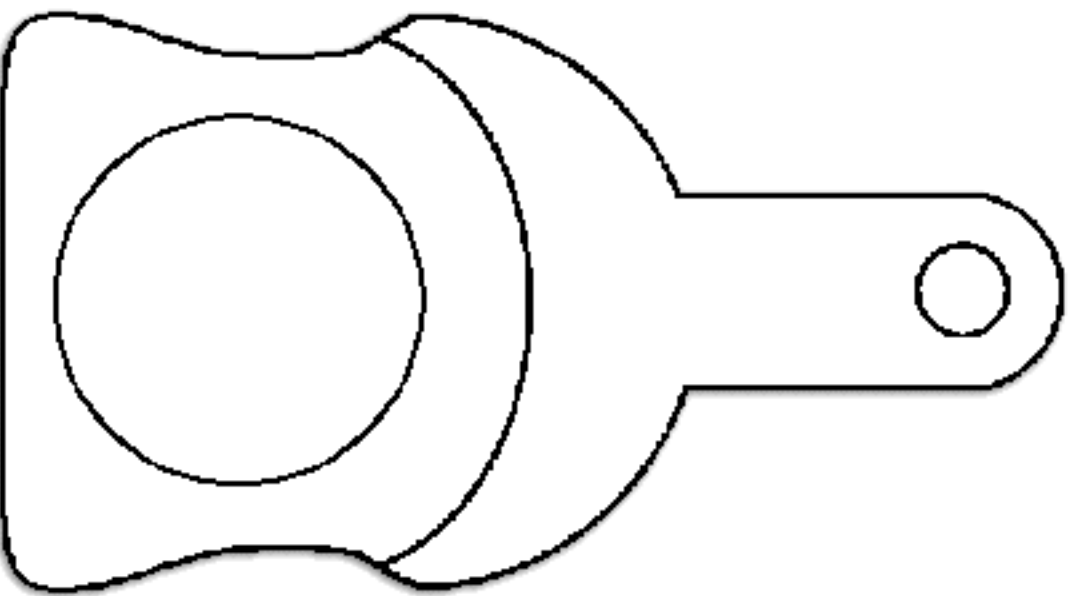
green



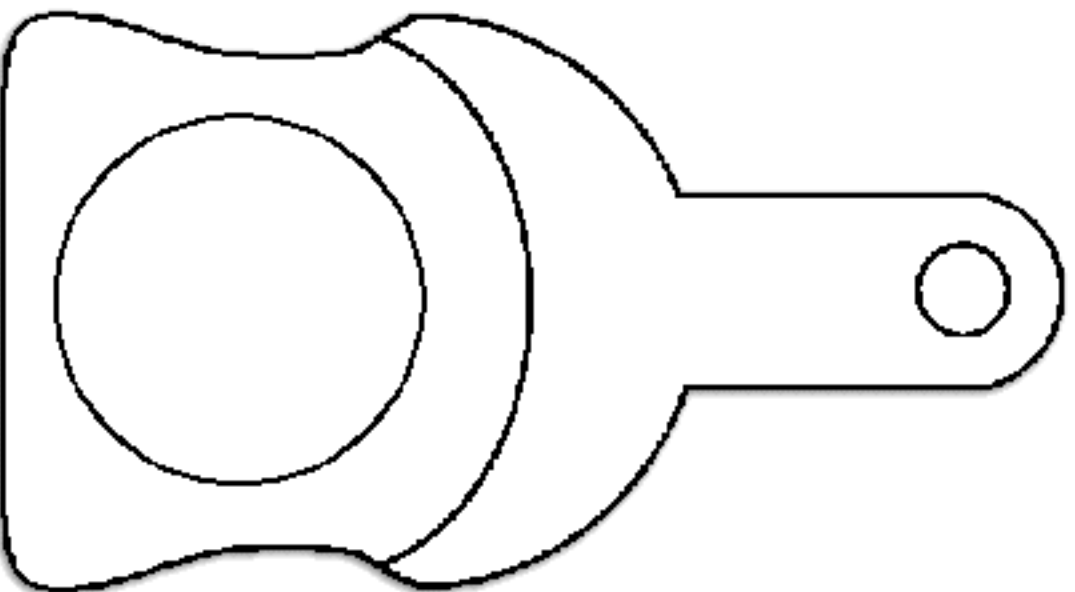
pink



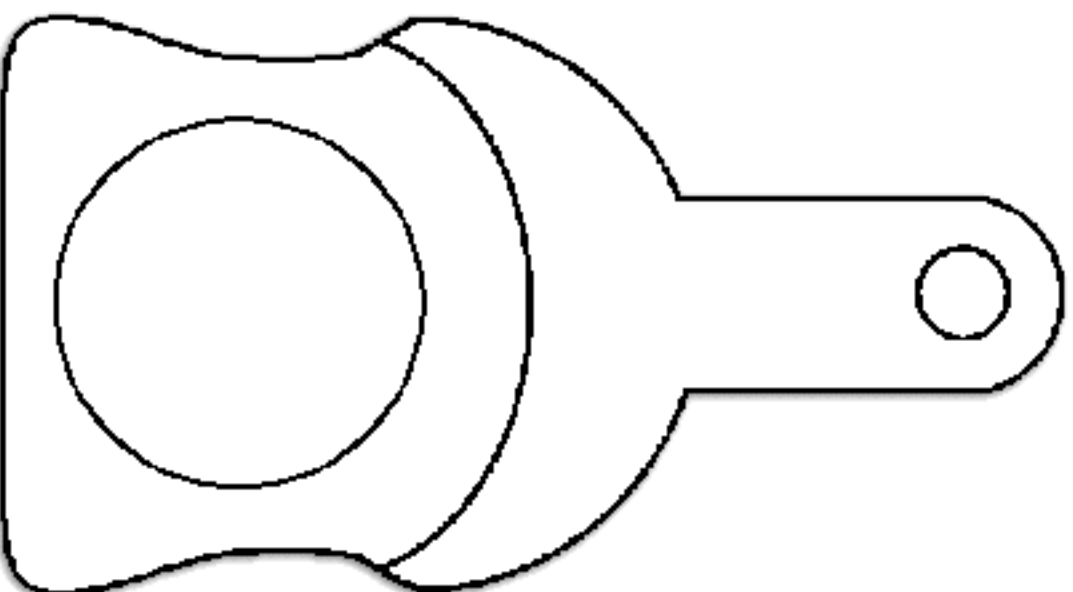
purple



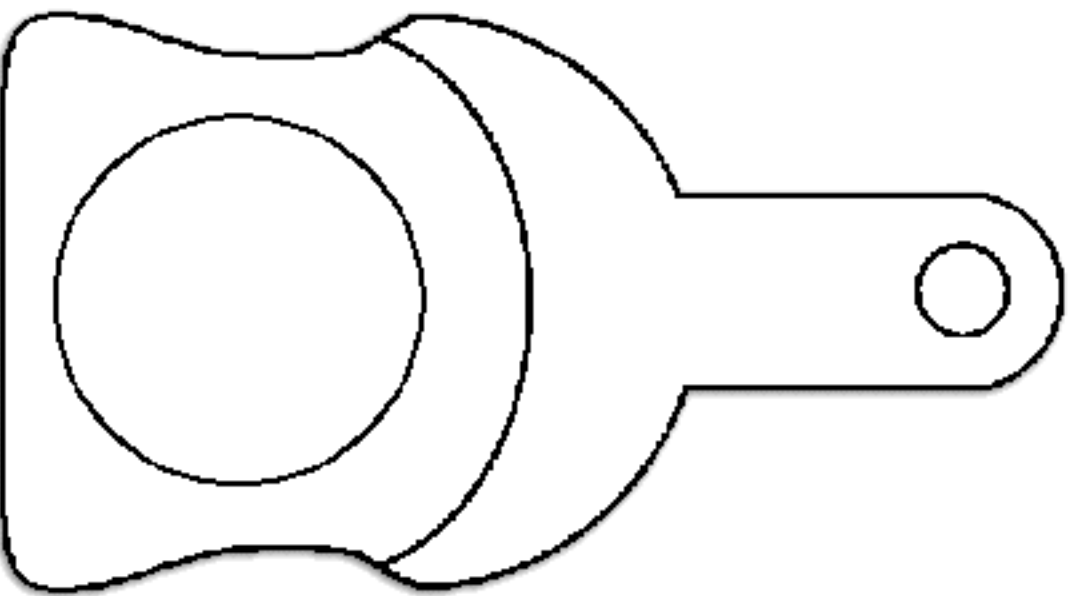
orange



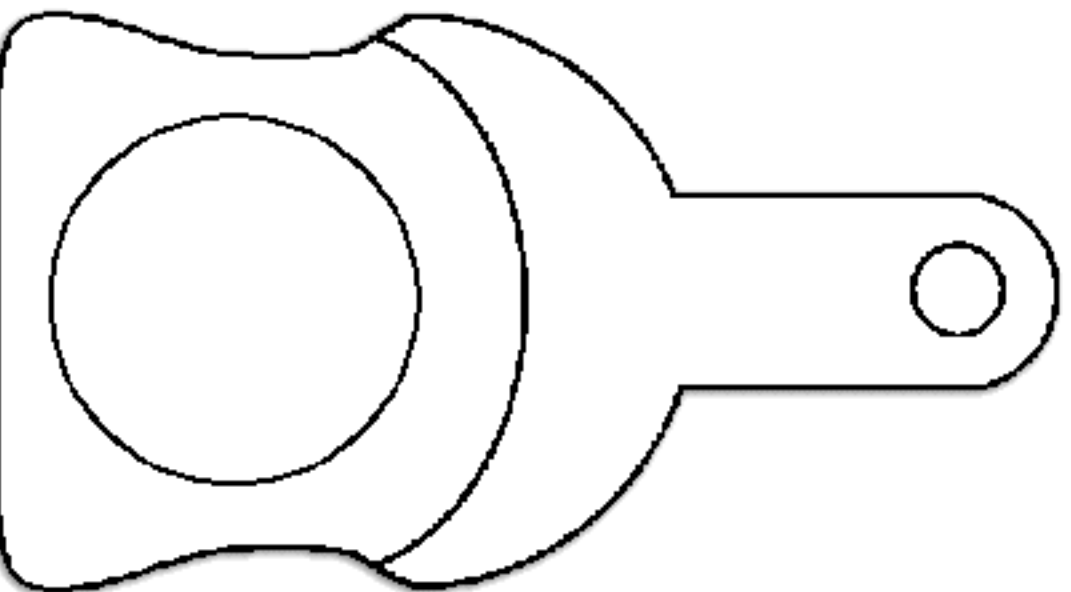
brown



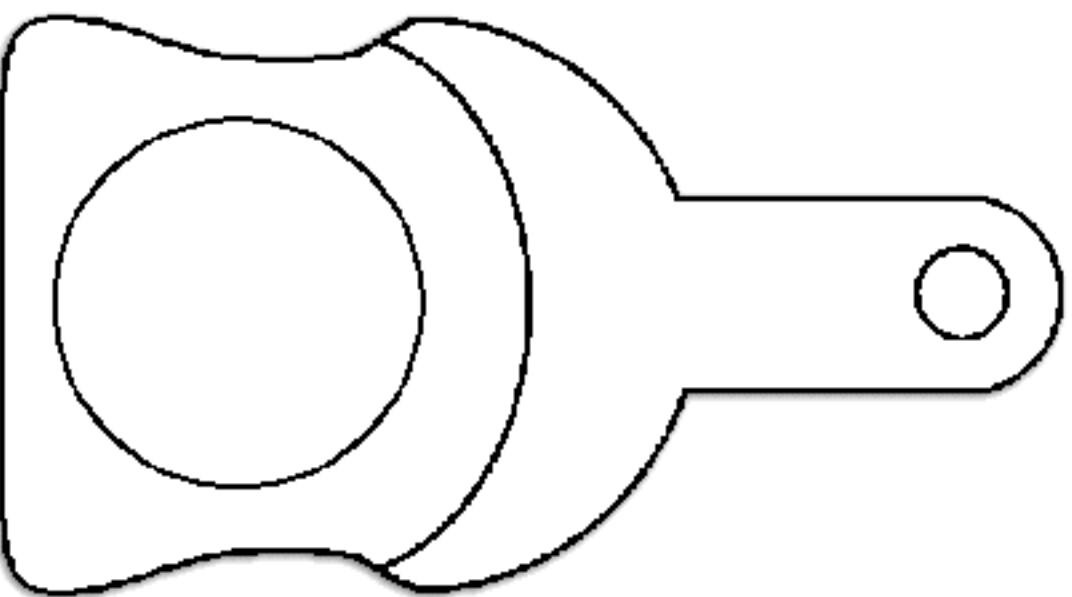
black



white

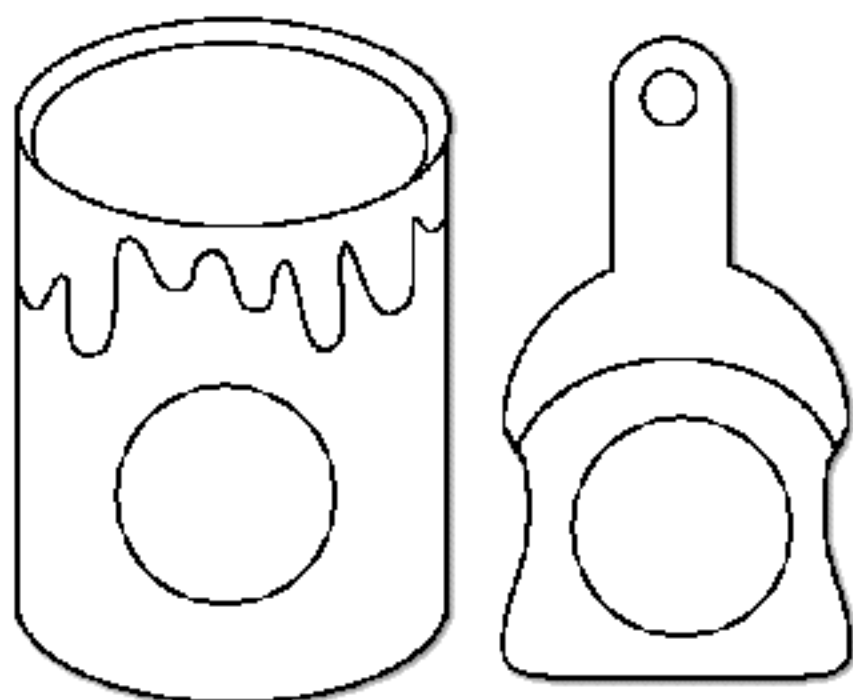


beige



gray

Paint Can and Paint Brush Color Table/Floor Game



www.childcareland.com

Instructions: Print on cardstock paper ... cut out and laminate lay paint cans on the floor or table and place the correct matching paint brush on each can.