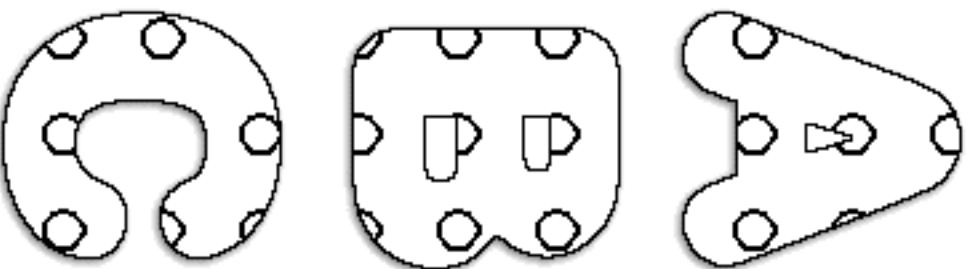
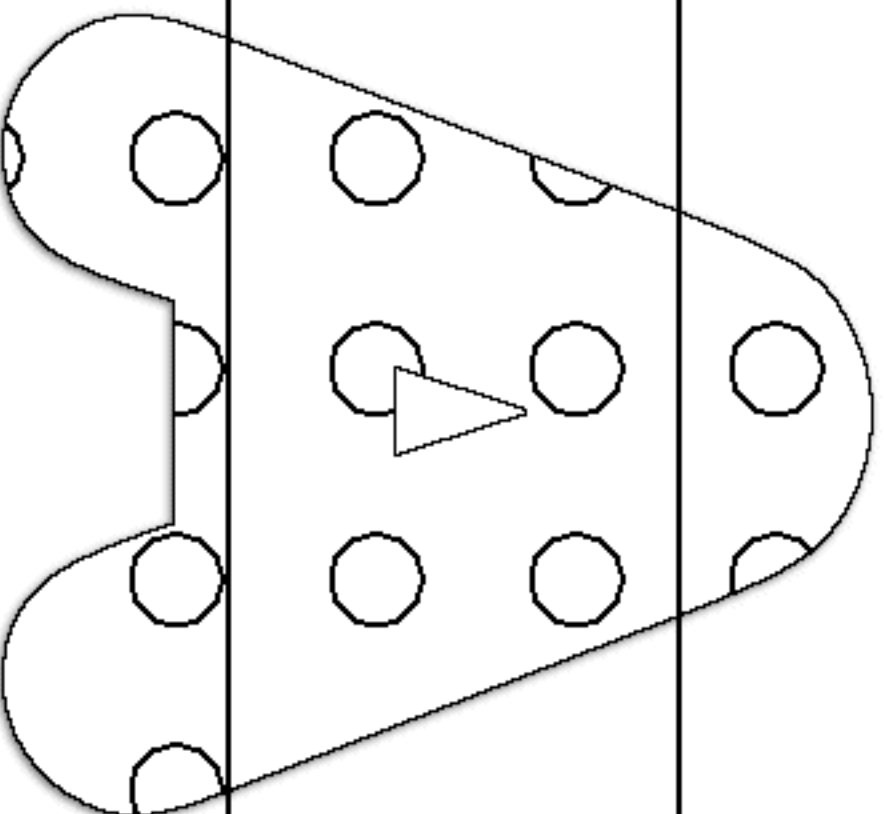


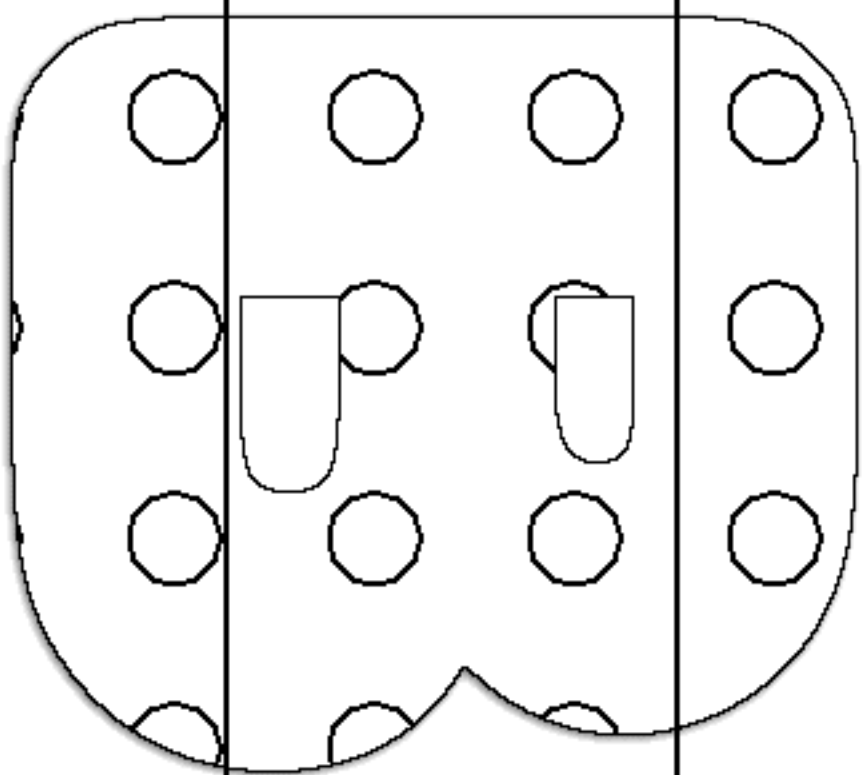
Alphabet Puzzles



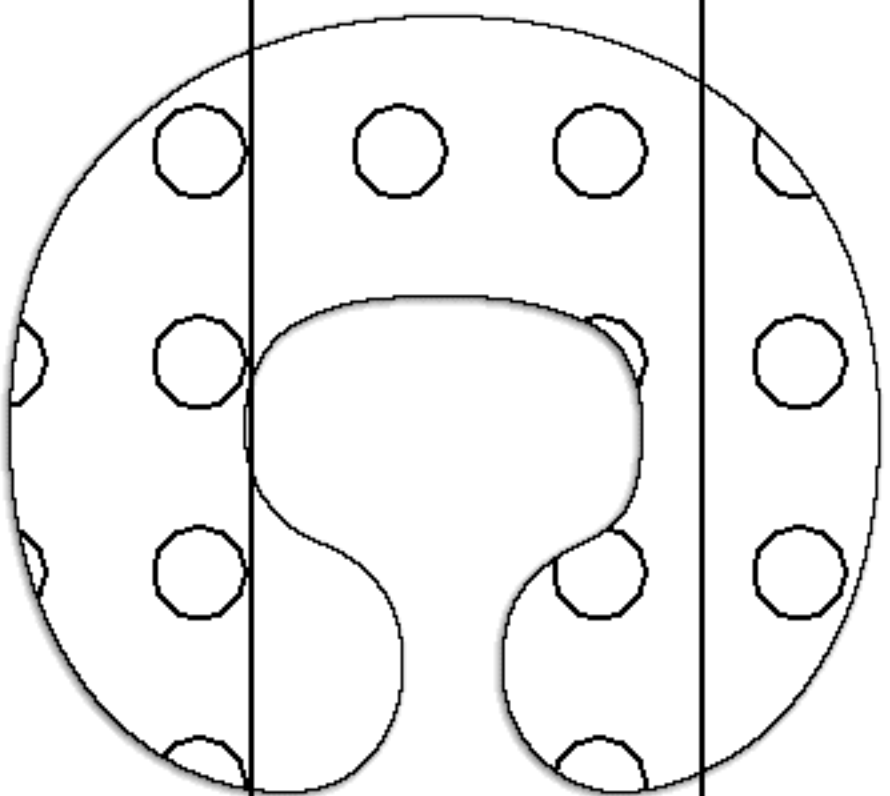
www.childcareland.com



www.childcareland.com

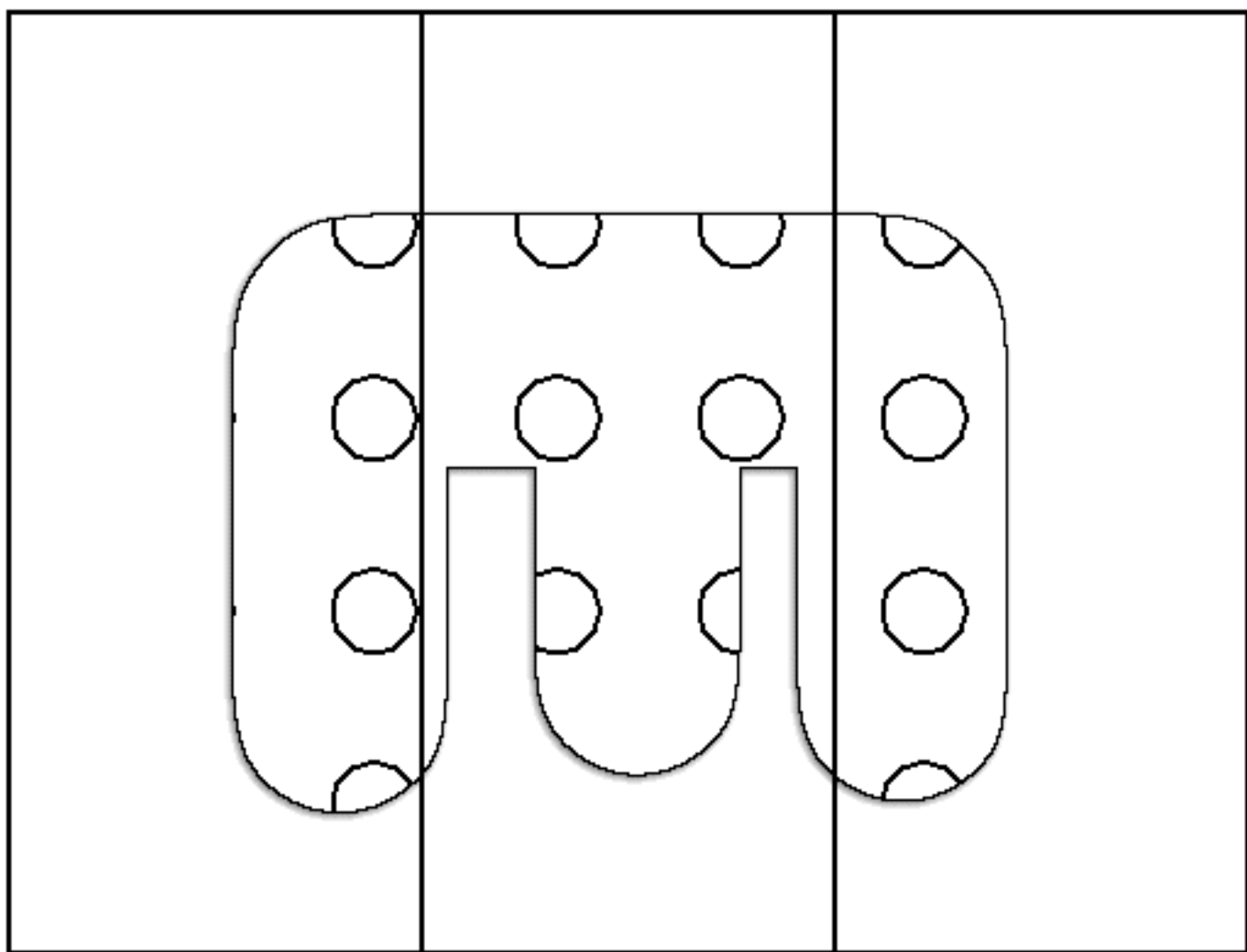
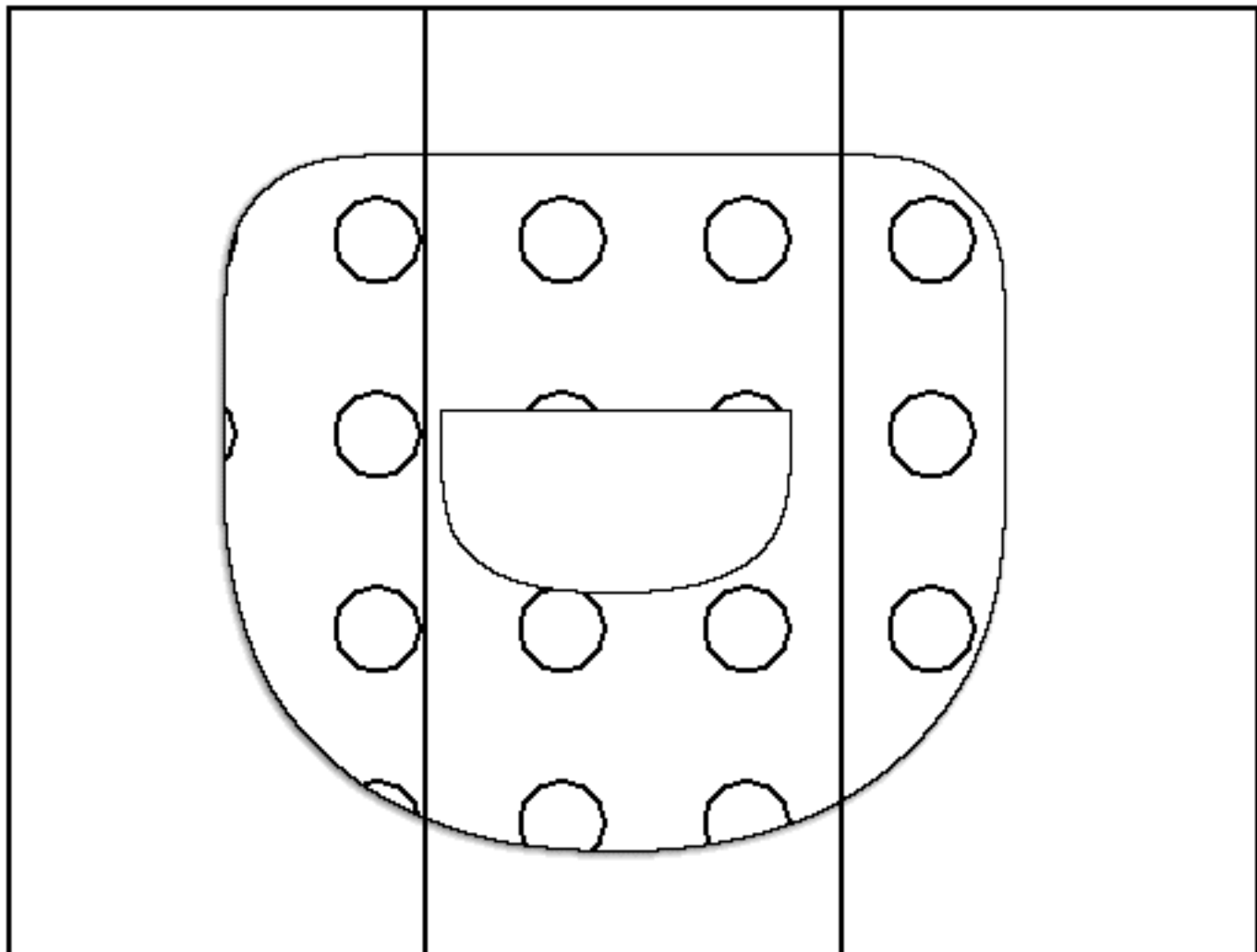


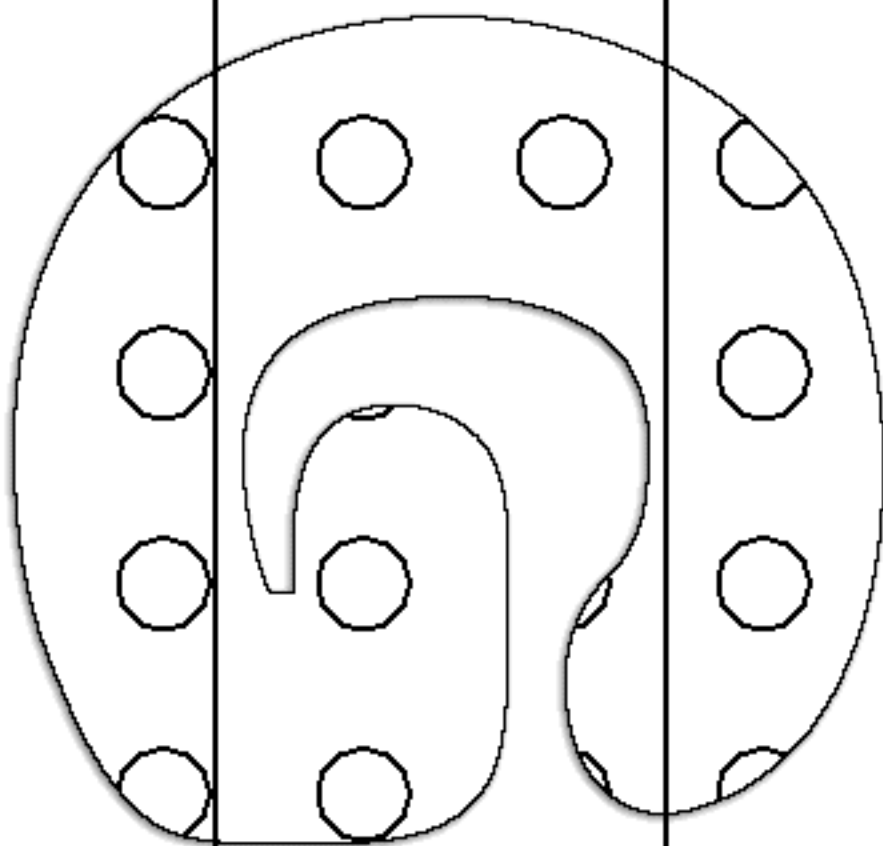
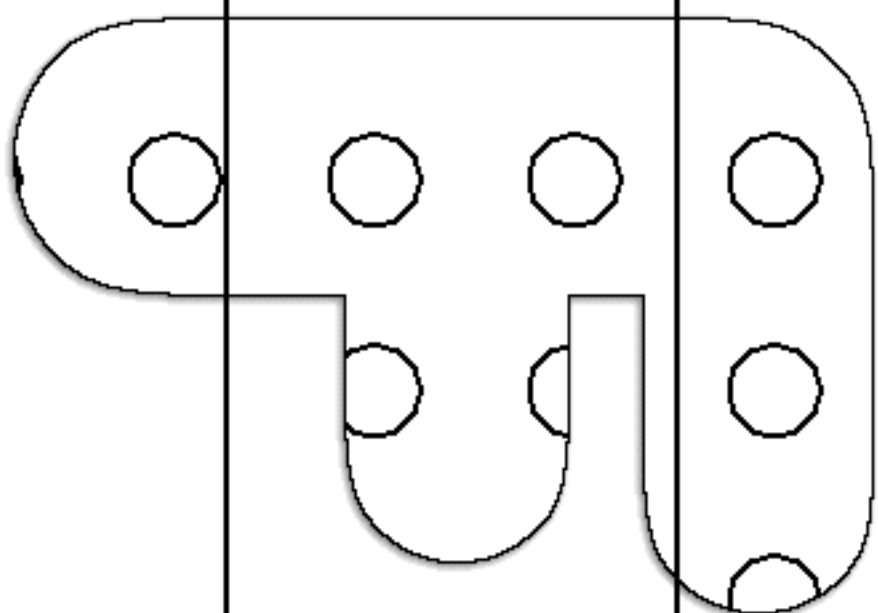
www.childcareland.com

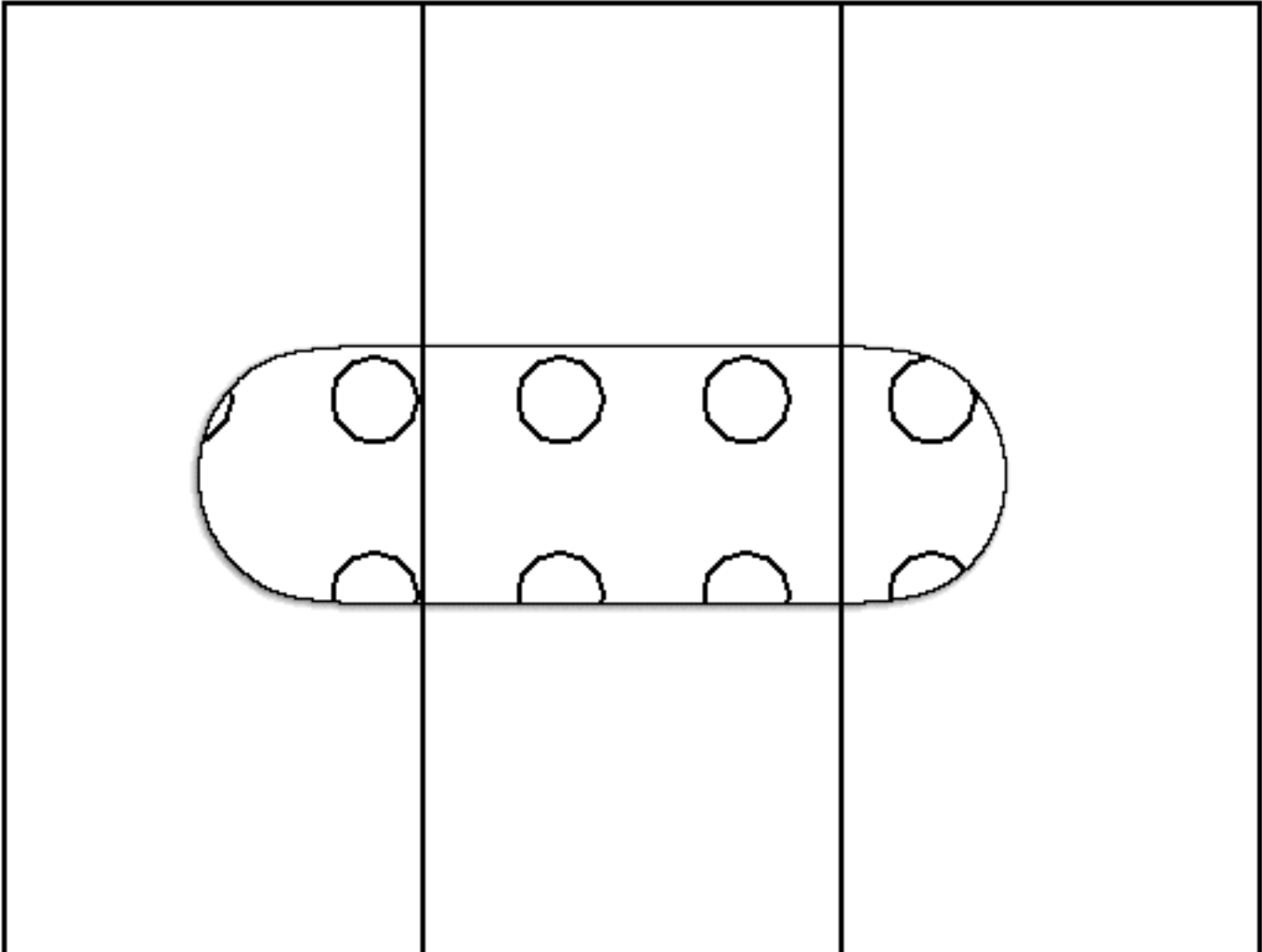
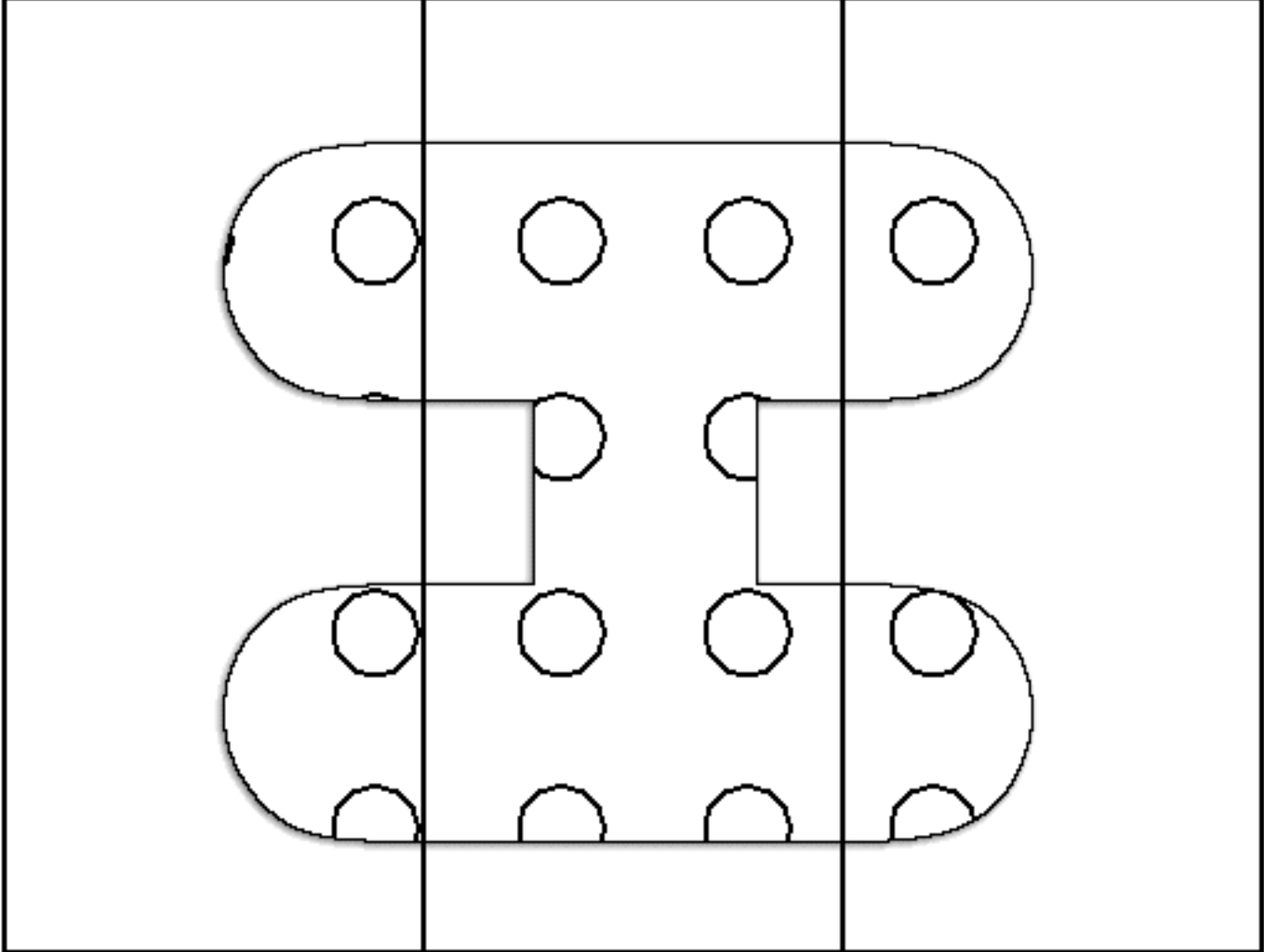


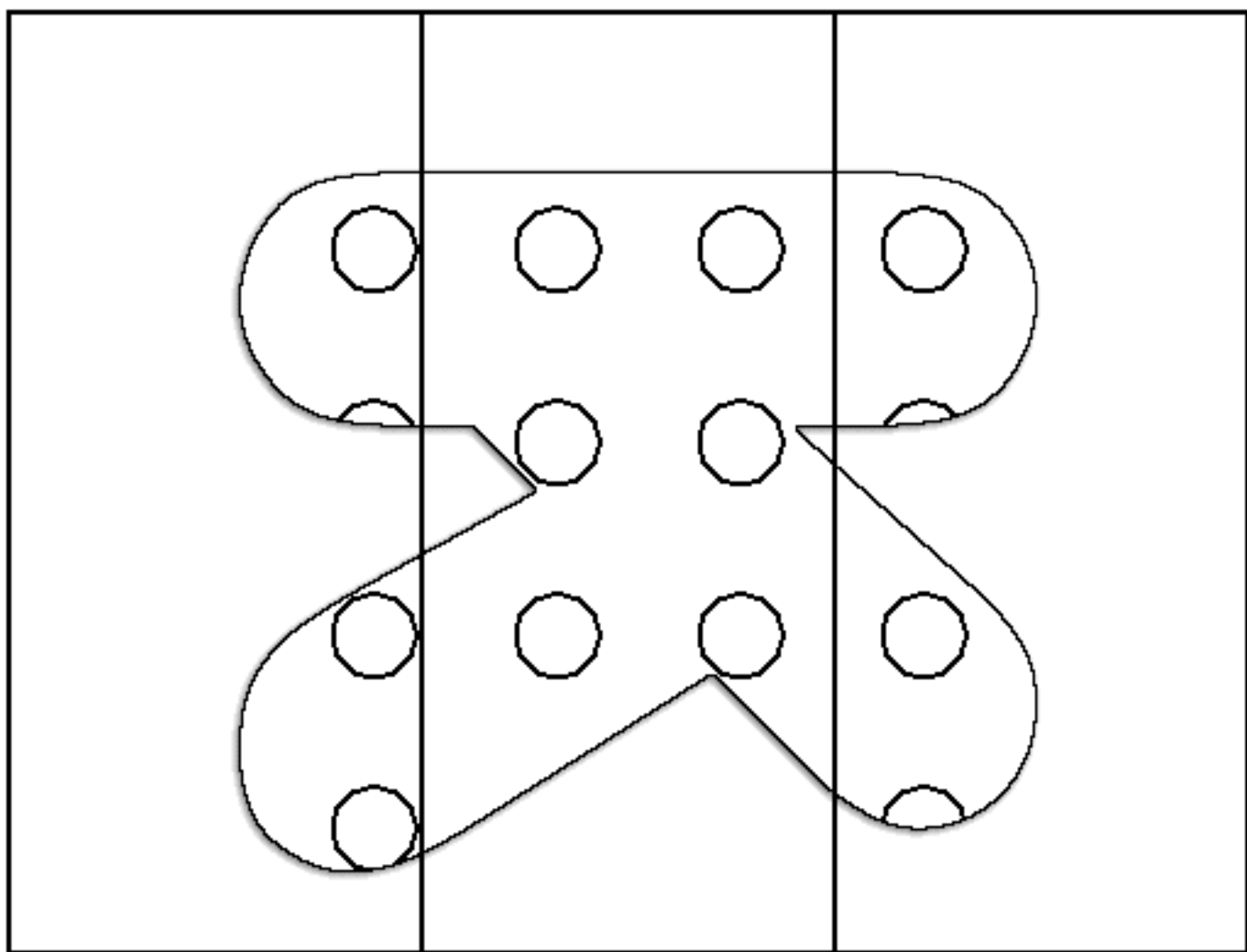
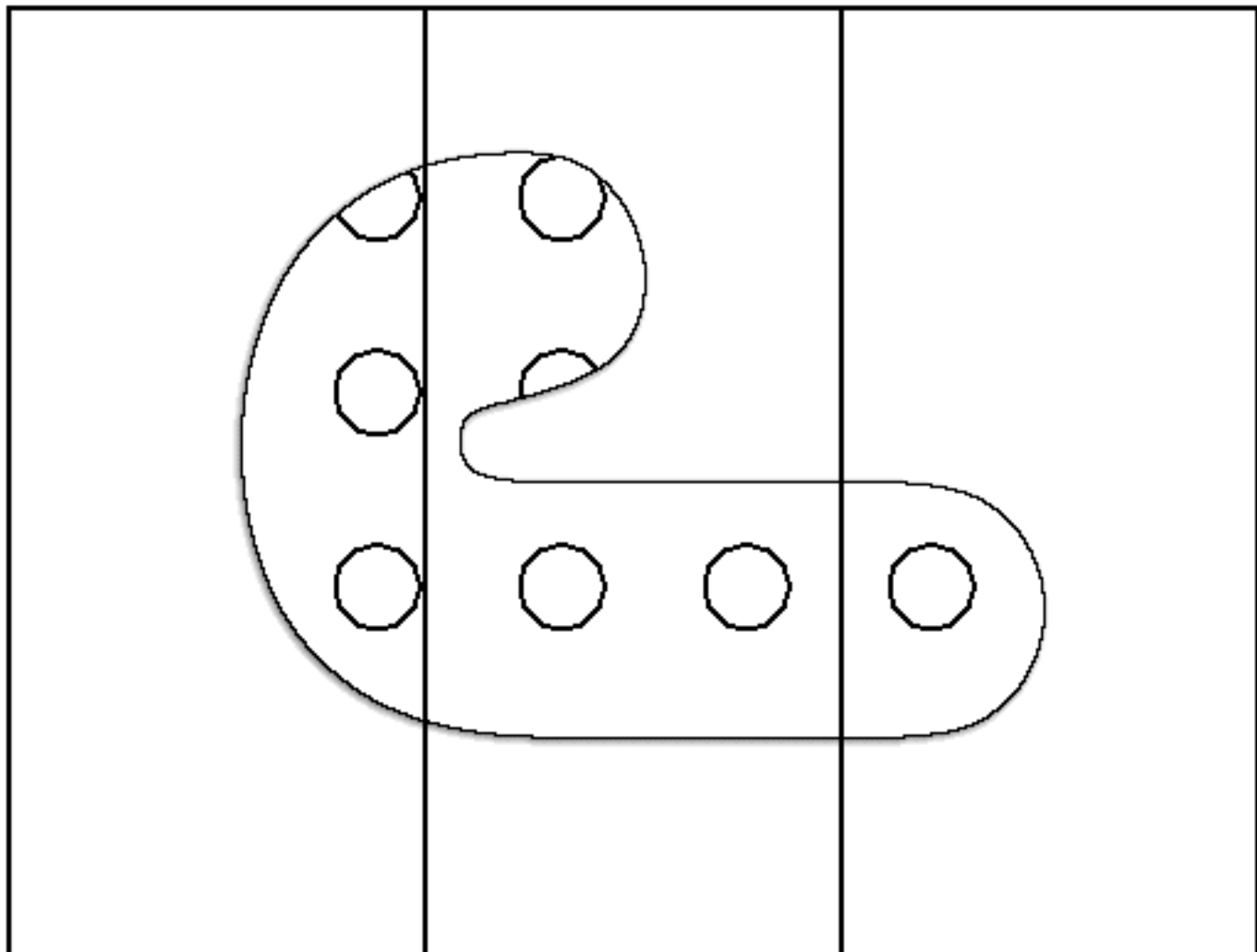
www.childcareland.com

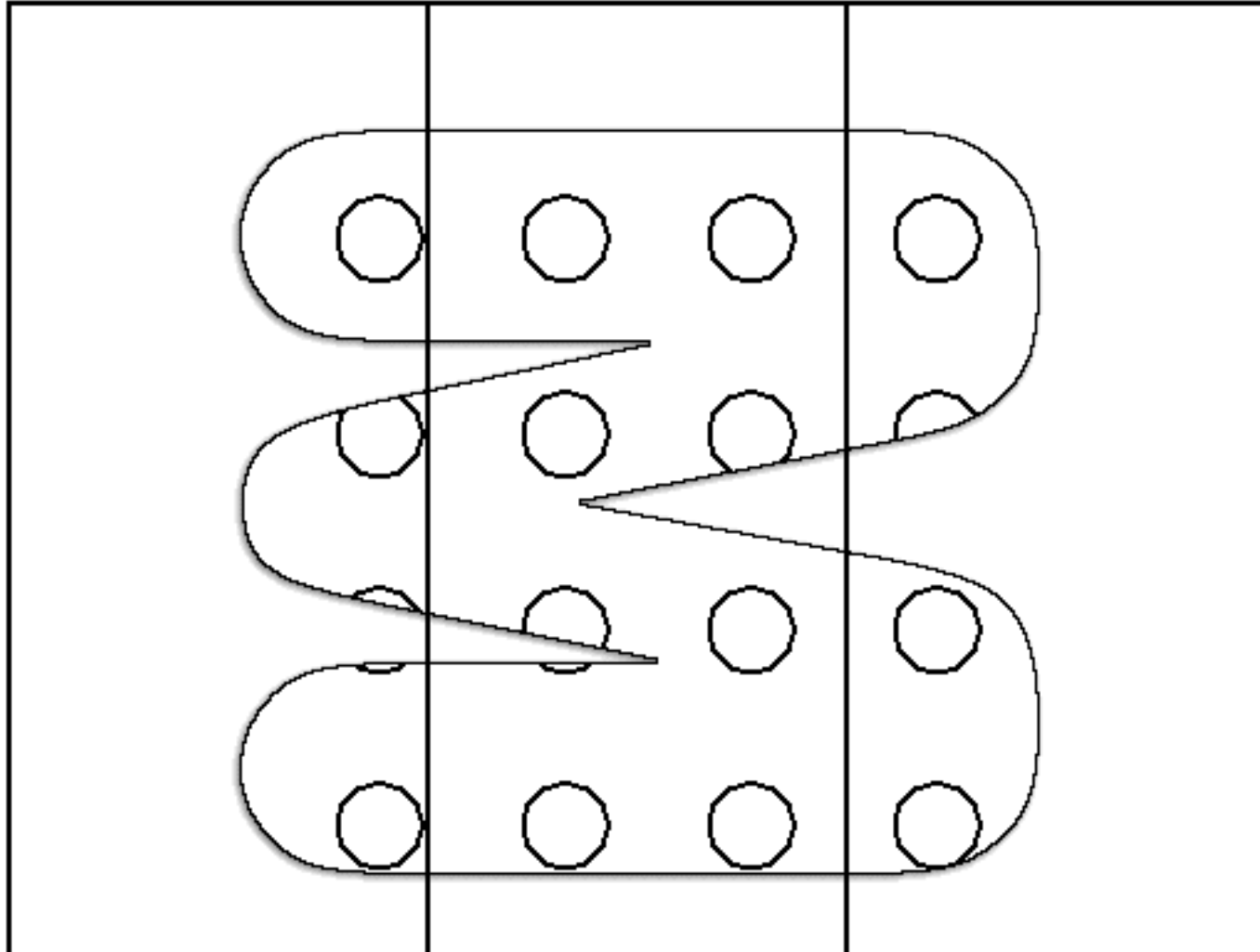
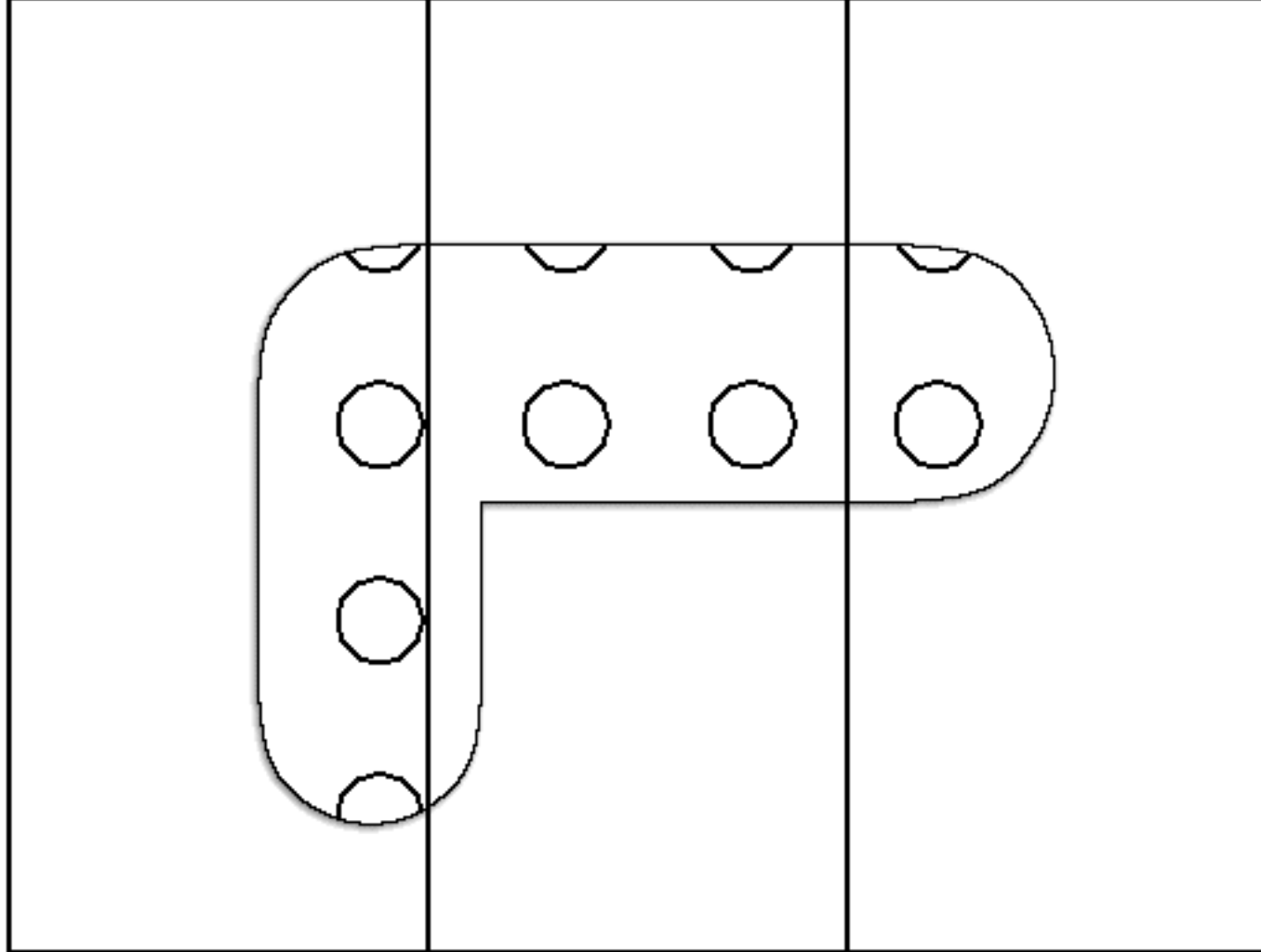
www.childcareland.com

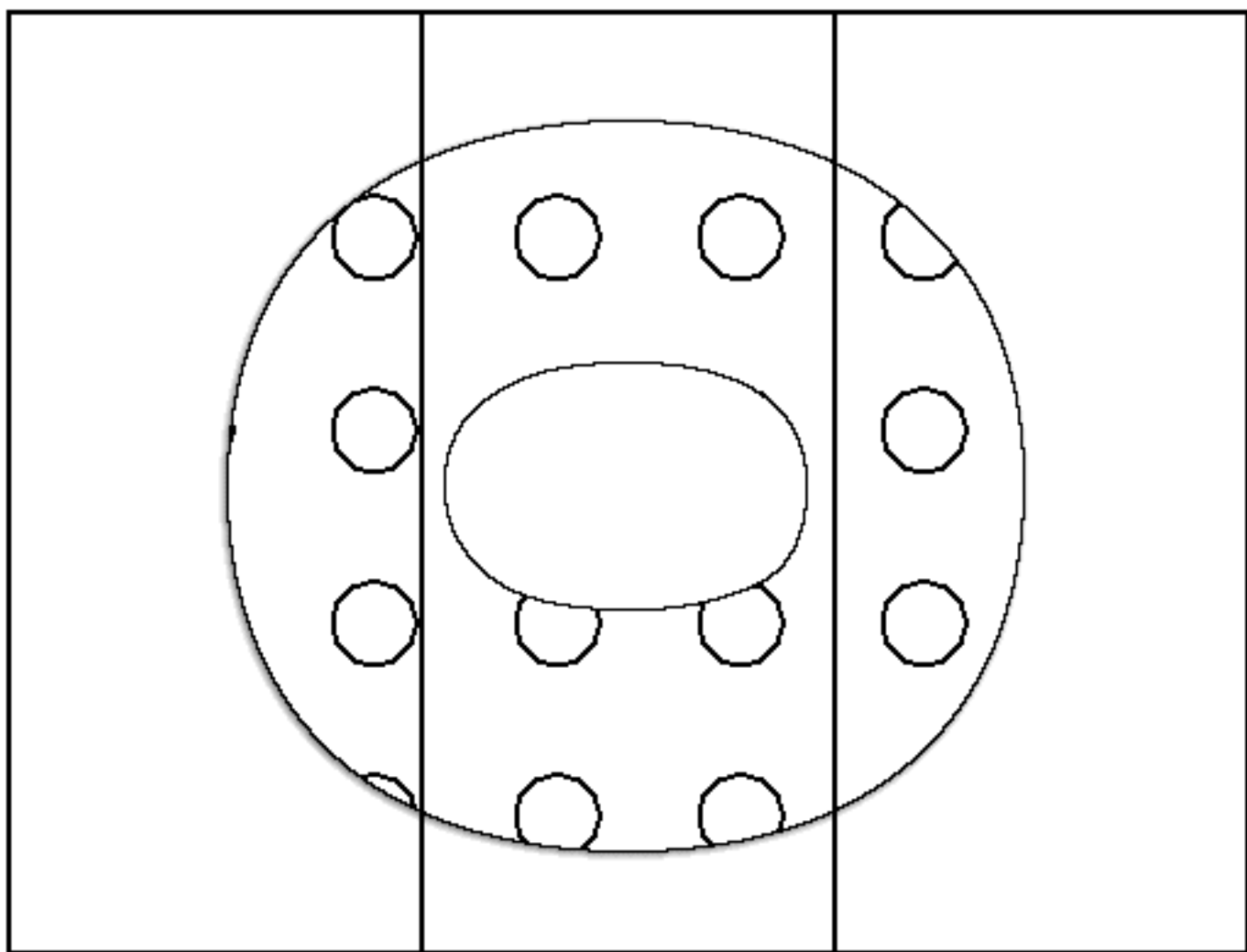
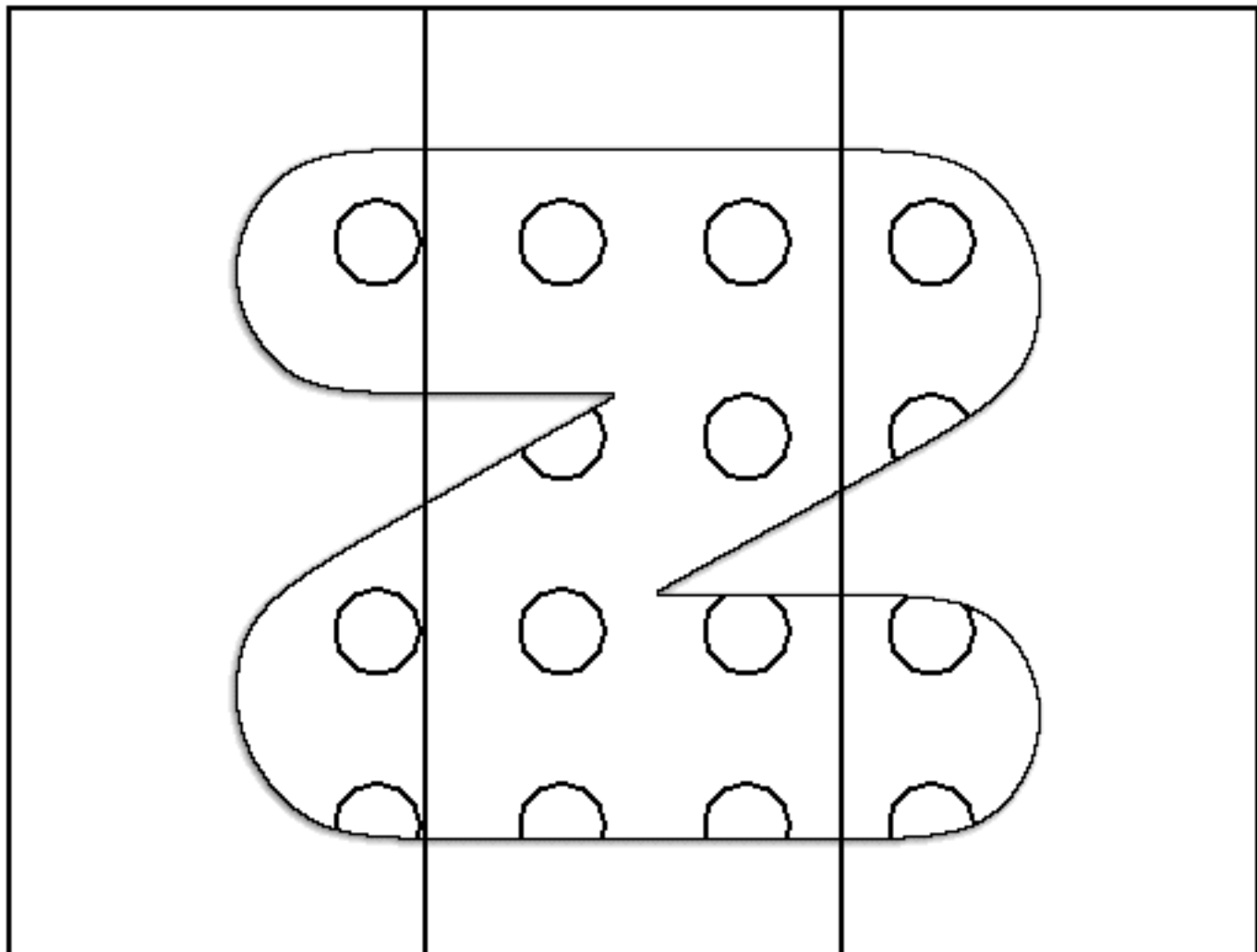


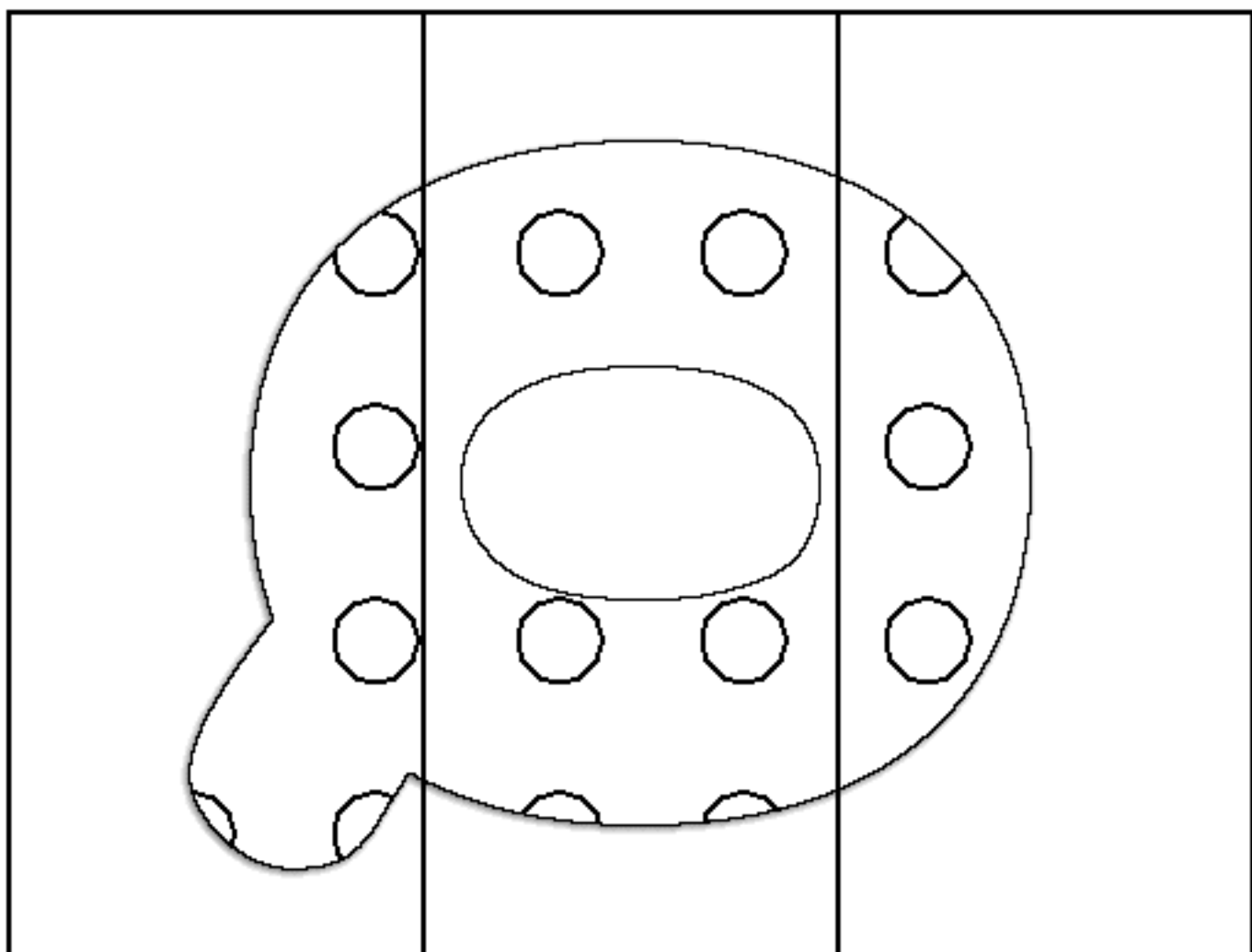
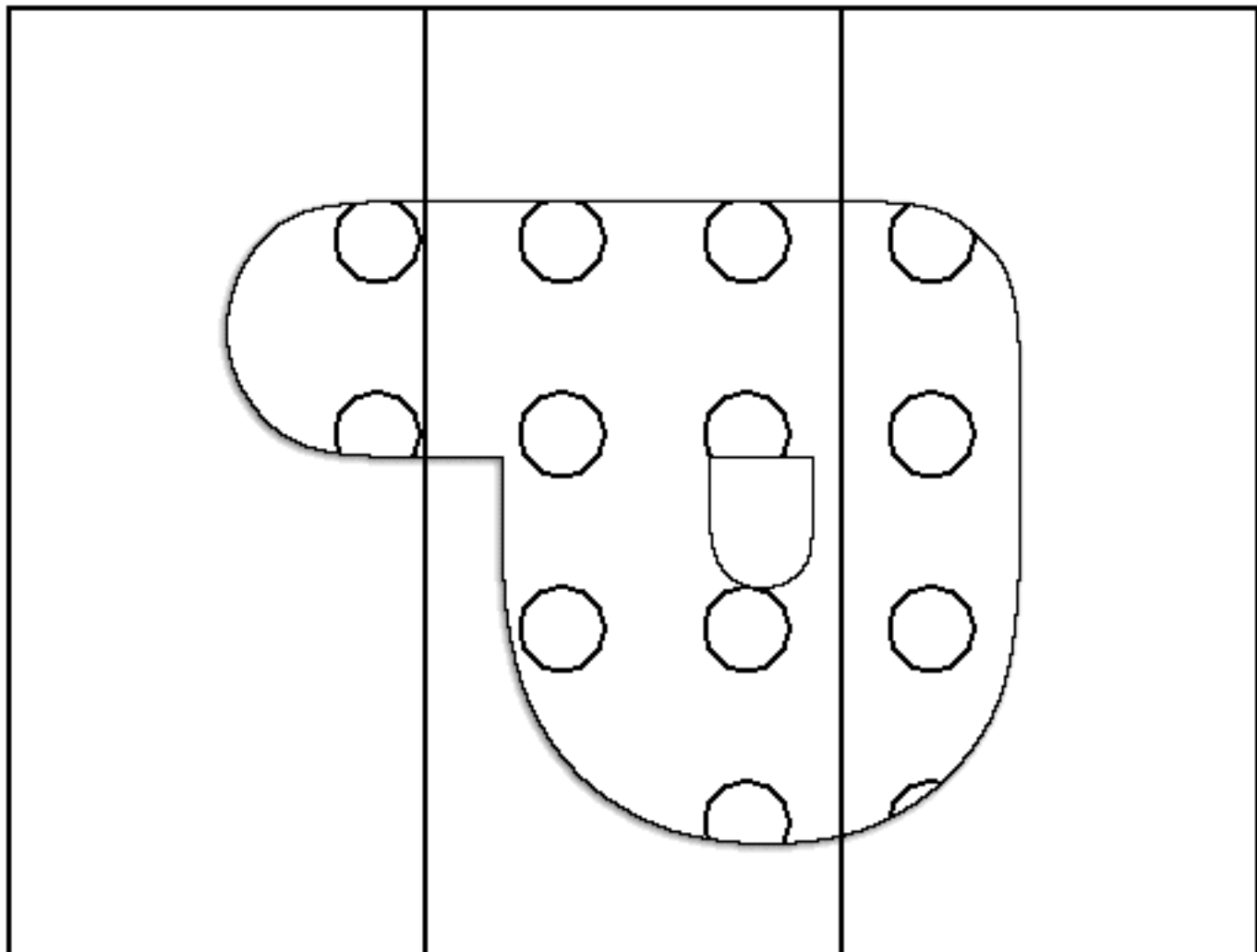


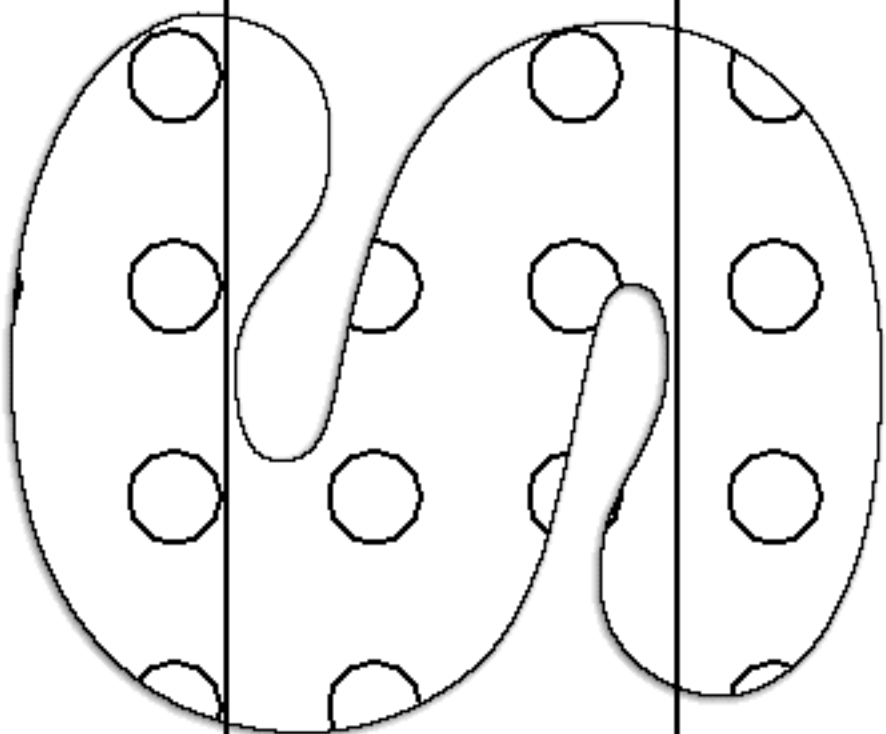
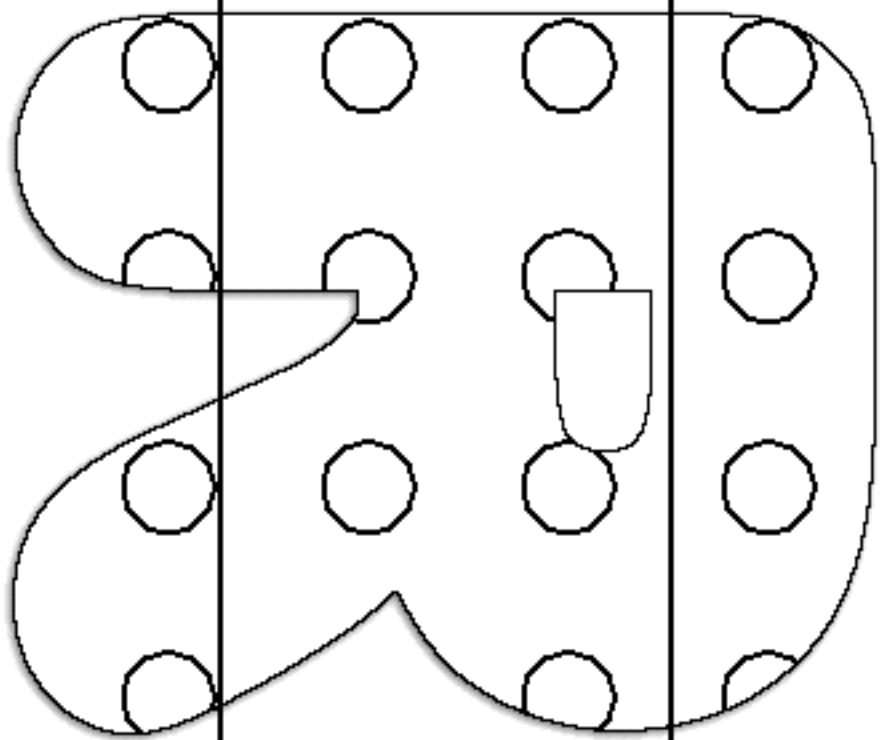


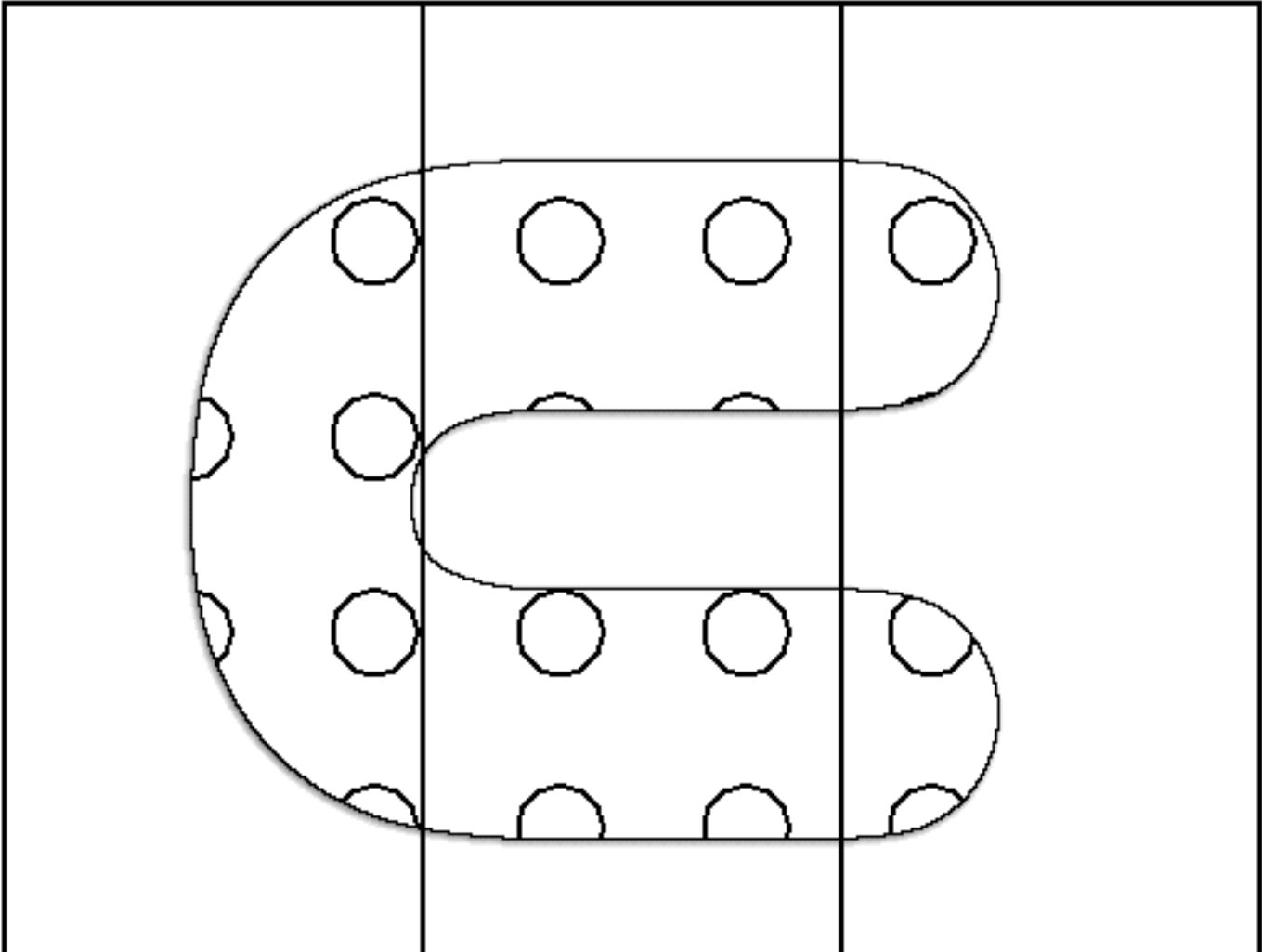
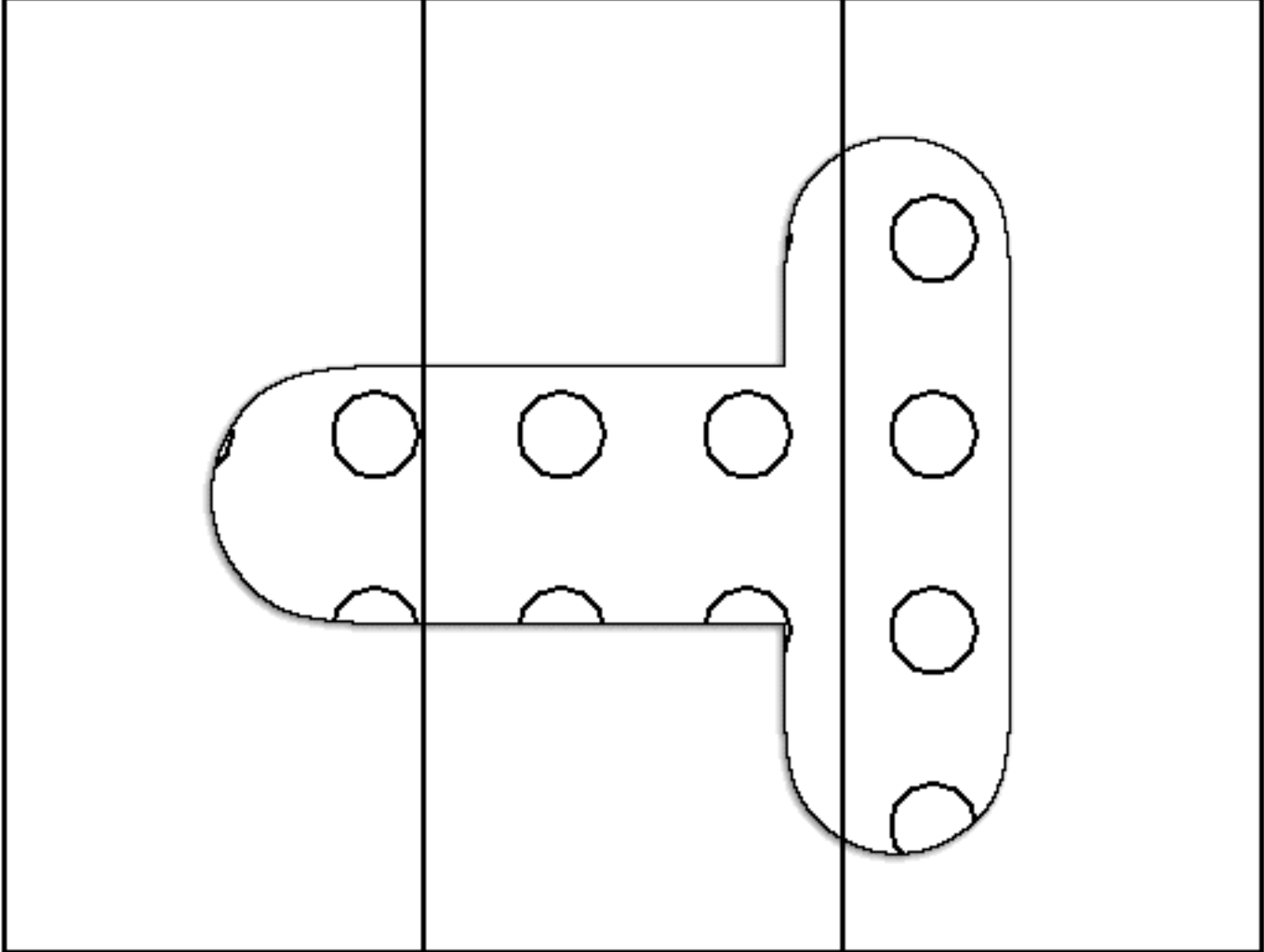


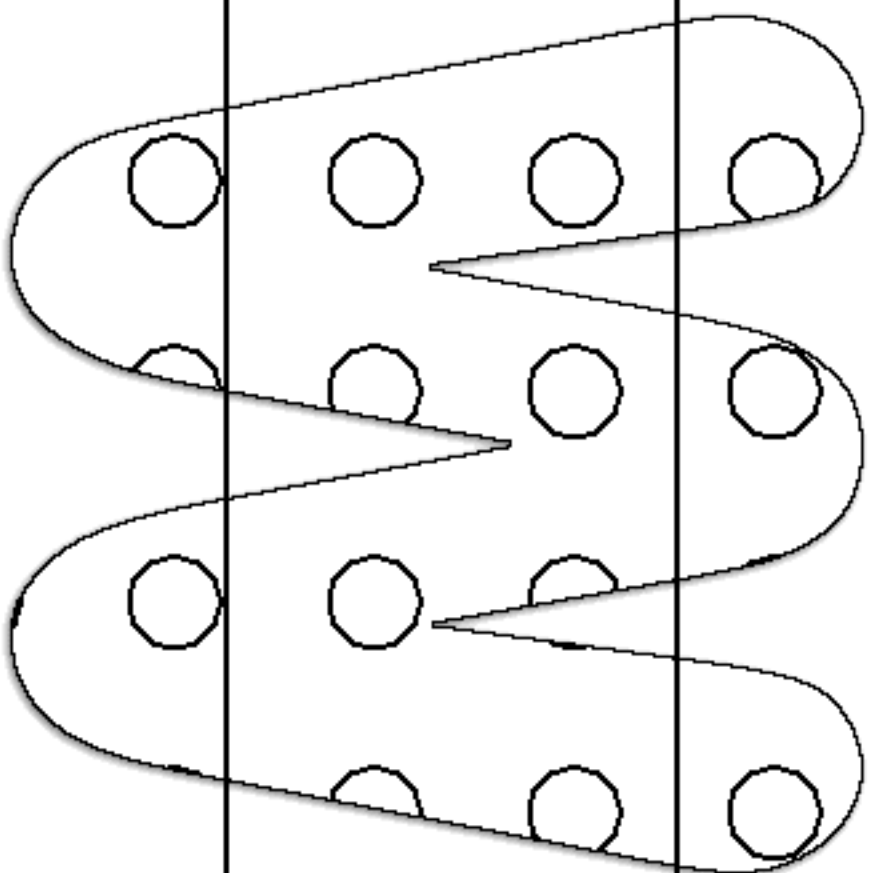
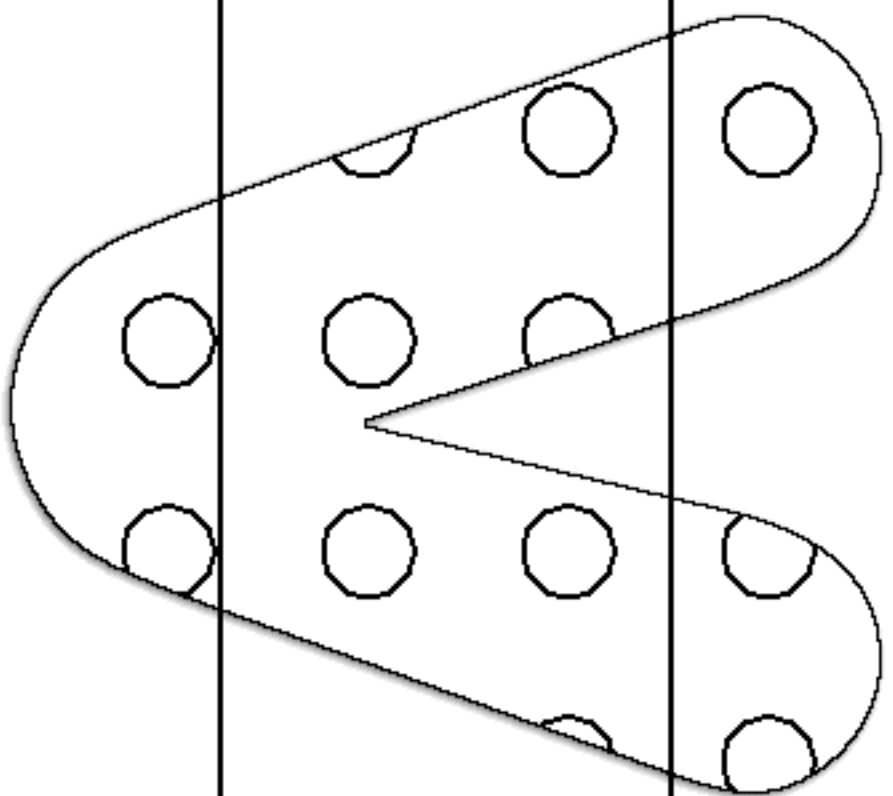


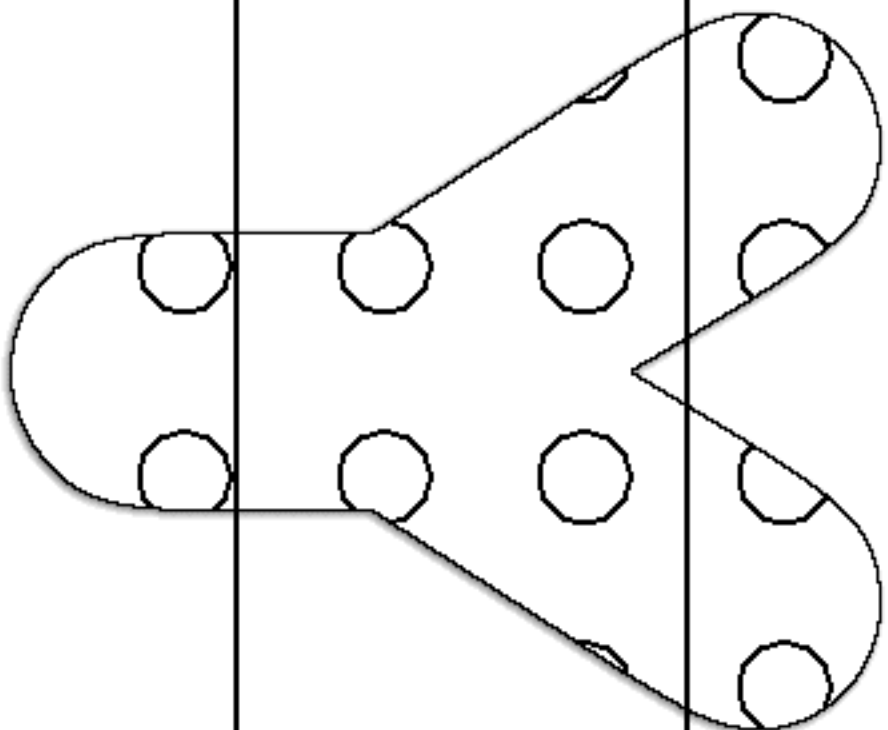
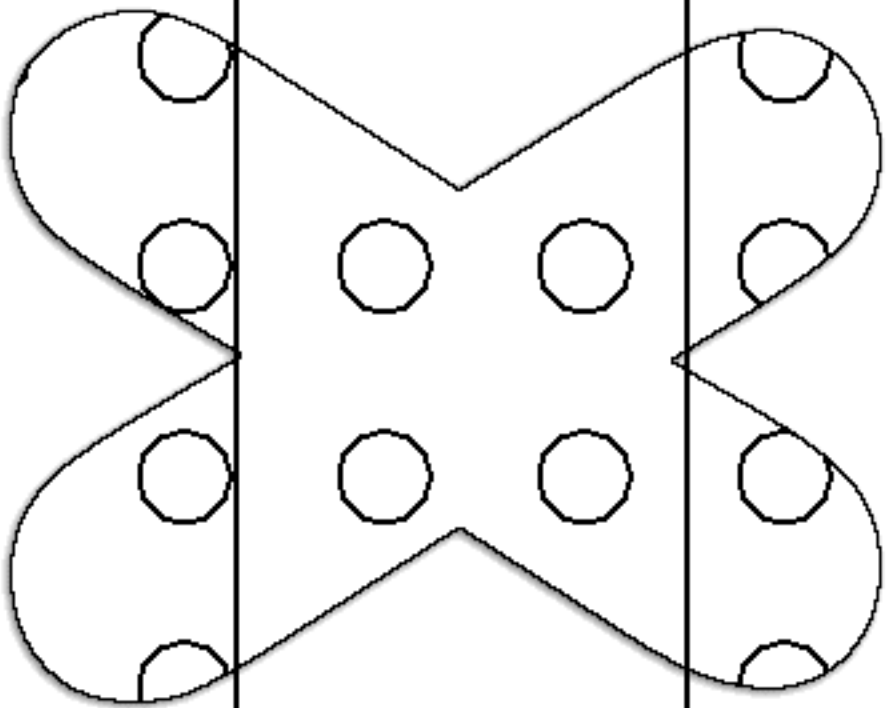


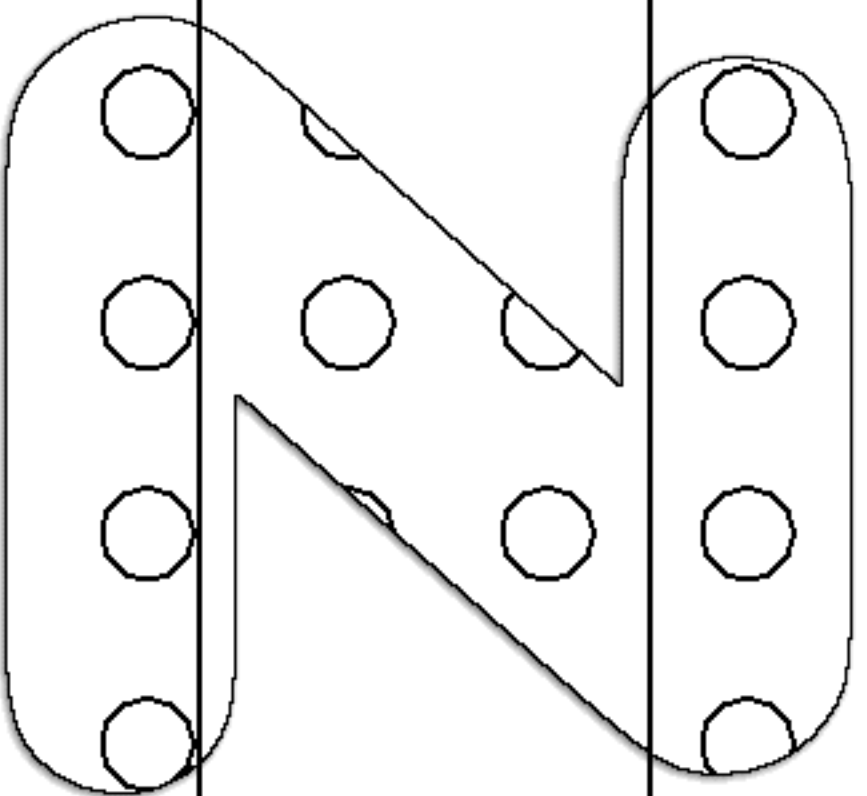












www.childcareland.com

Instructions: Print on cardstock ... cut out and laminate. You can make a mat to put the three piece puzzles on or you can make a puzzle book. I have included patterns for both. I find it helps if you put velco on the mat and book pages as well as on the back of the puzzle pieces.

www.childcareland.com

